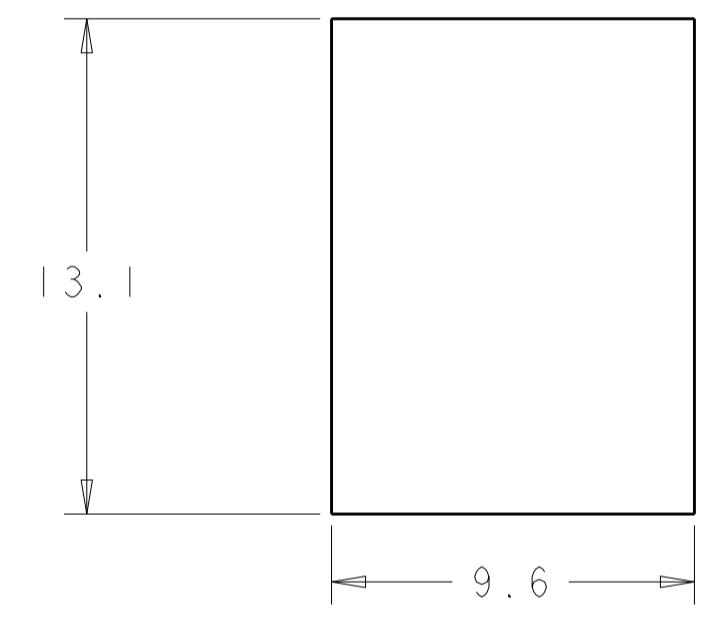
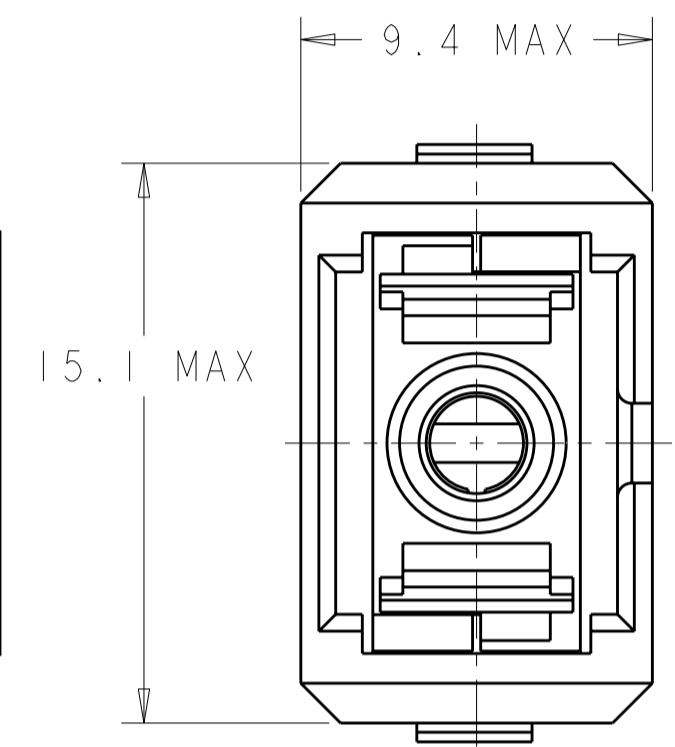
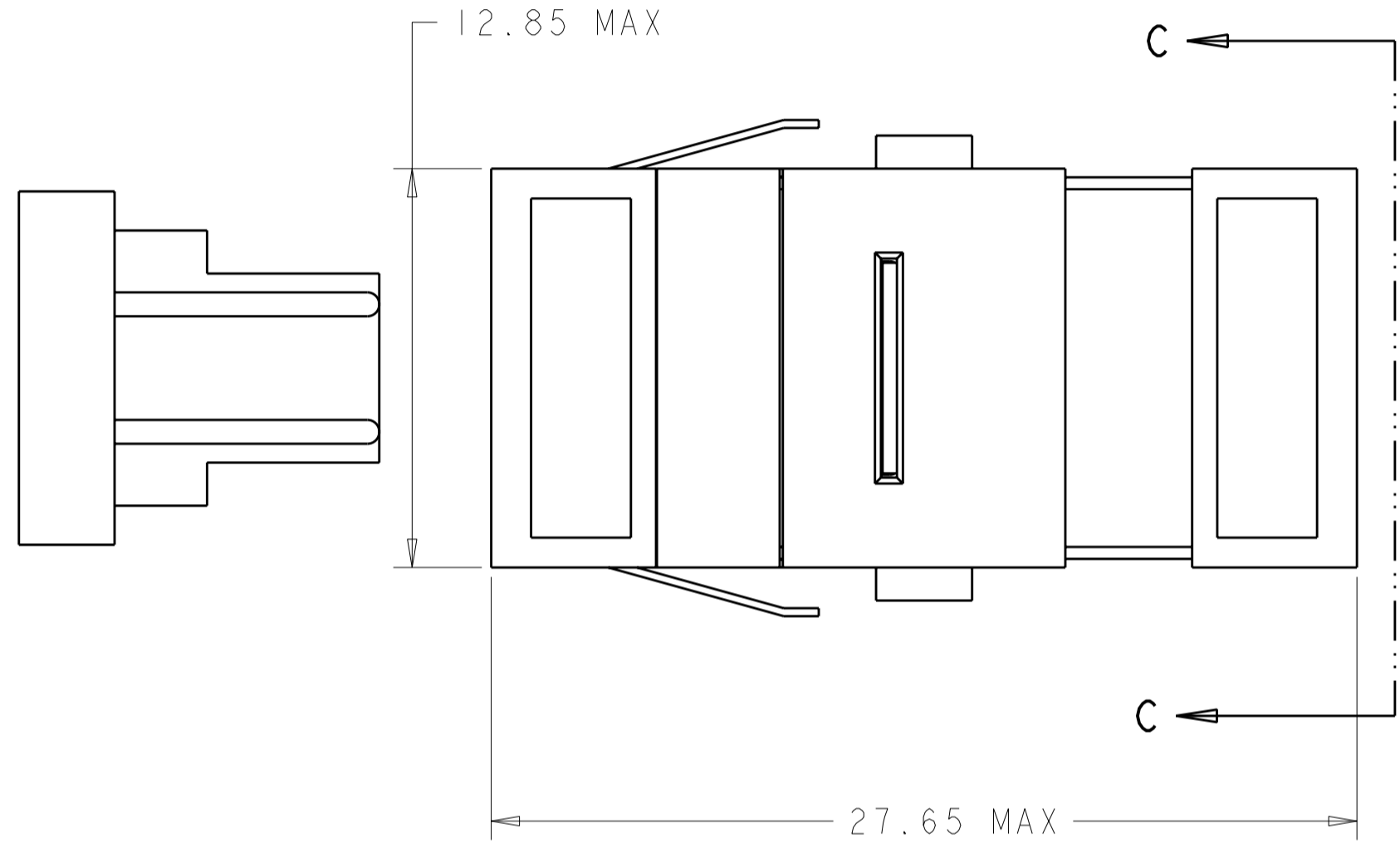


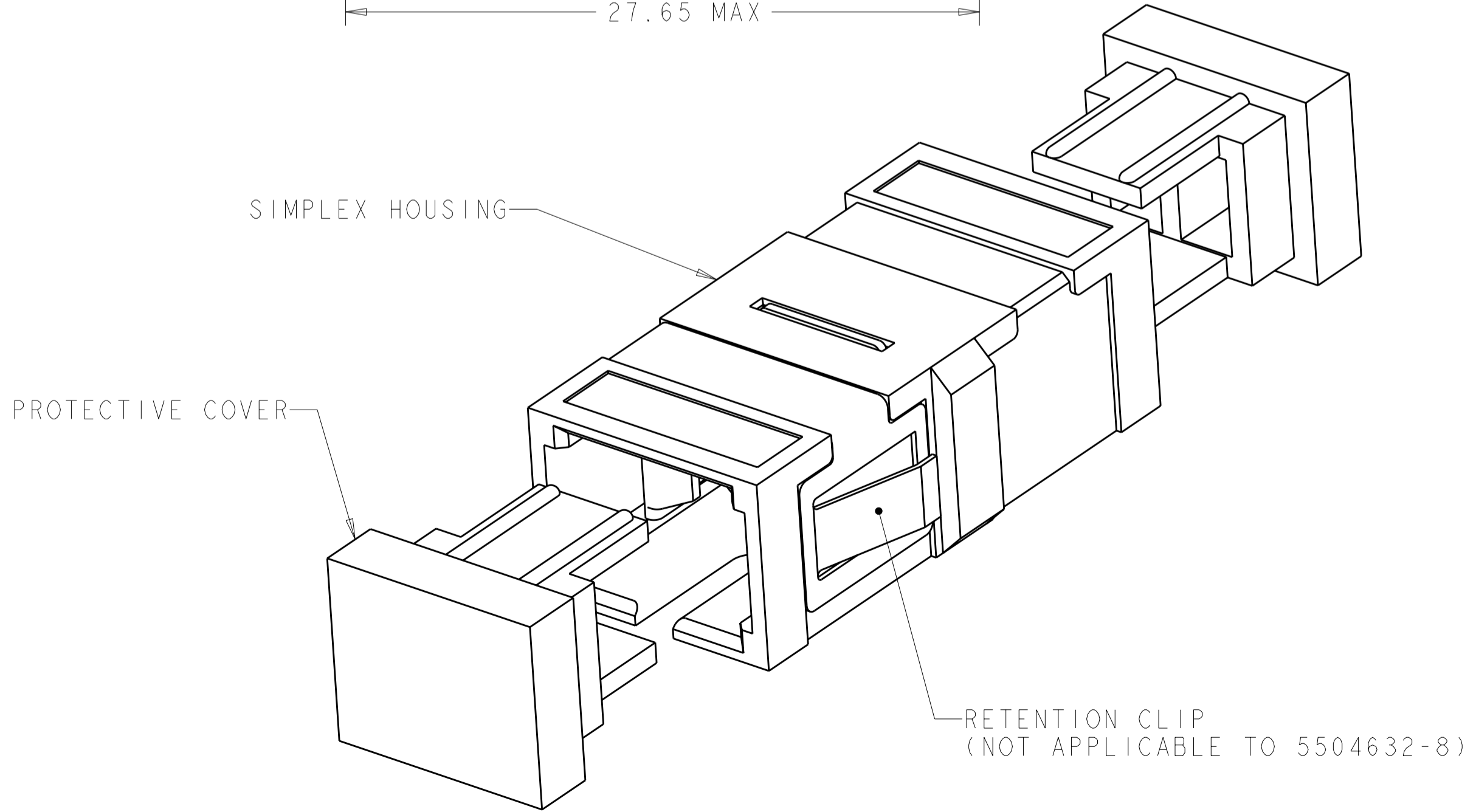
THIS DRAWING IS UNPUBLISHED. RELEASED FOR PUBLICATION 20
 © COPYRIGHT 20 BY TYCO ELECTRONICS CORPORATION. ALL INTERNATIONAL RIGHTS RESERVED.

LOC	DIST	REVISIONS			
P	LTR	DESCRIPTION	DATE	DWN	APVD
D		REVISE PER ECR-09-012266	04JUN2009	KG	SB
DI		REVISE PER ECR-09-023245	28OCT2009	IL	CT

⚠ MATERIAL:
 HOUSING: PBT-GF30, SEE DASH NUMBERS FOR COLOR.*
 RETAINER: PEI-GF30, COLOR: BLACK.*
 RETENTION CLIP: STAINLESS STEEL (NOT APPLICABLE TO 5504632-8).
 ALIGNMENT SLEEVE: SEE DASH NUMBERS
 PROTECTIVE COVER: TPE, COLOR: BLACK.*
 *UL94 V-0 RATED AT QUALIFYING THICKNESS.



SUGGESTED PANEL CUTOUT
 MAX PANEL THICKNESS 1.7



CERAMIC	GREEN	5504632-8
CERAMIC (LOW LOSS)	GREEN	5504632-7
CERAMIC	AQUA	5504632-6
CERAMIC	GREEN	5504632-5
CERAMIC	BLUE	5504632-4
METAL	BLUE	5504632-3
CERAMIC	BLACK	5504632-2
METAL	BLACK	5504632-1
ALIGNMENT SLEEVE	COLOR	PART NUMBER

THIS DRAWING IS A CONTROLLED DOCUMENT FOR TYCO ELECTRONICS CORPORATION. IT IS SUBJECT TO CHANGE AND THE CONTROLLING ENGINEERING ORGANIZATION SHOULD BE CONTACTED FOR THE LATEST REVISION.		DWN B. BRIGGS 16MAY2005	Tyco Electronics Corporation Shanghai, China	
DIMENSIONS: mm		CHK S. MILLER 16MAY2005	NAME RECEPTACLE ASSEMBLY, SC TO SC	
TOLERANCES UNLESS OTHERWISE SPECIFIED: 0 PLC ± 1 PLC ±0.1 2 PLC ±0.05 3 PLC ± 4 PLC ± ANGLES ± FINISH		APVD S. BUCHTER 16MAY2005	RESTRICTED TO	
MATERIAL		PRODUCT SPEC	SIZE A200779	CAGE CODE C-5504632
⚠		APPLICATION SPEC	SCALE 5:1	SHEET 1 OF 1
CUSTOMER DRAWING		WEIGHT	REV DI	